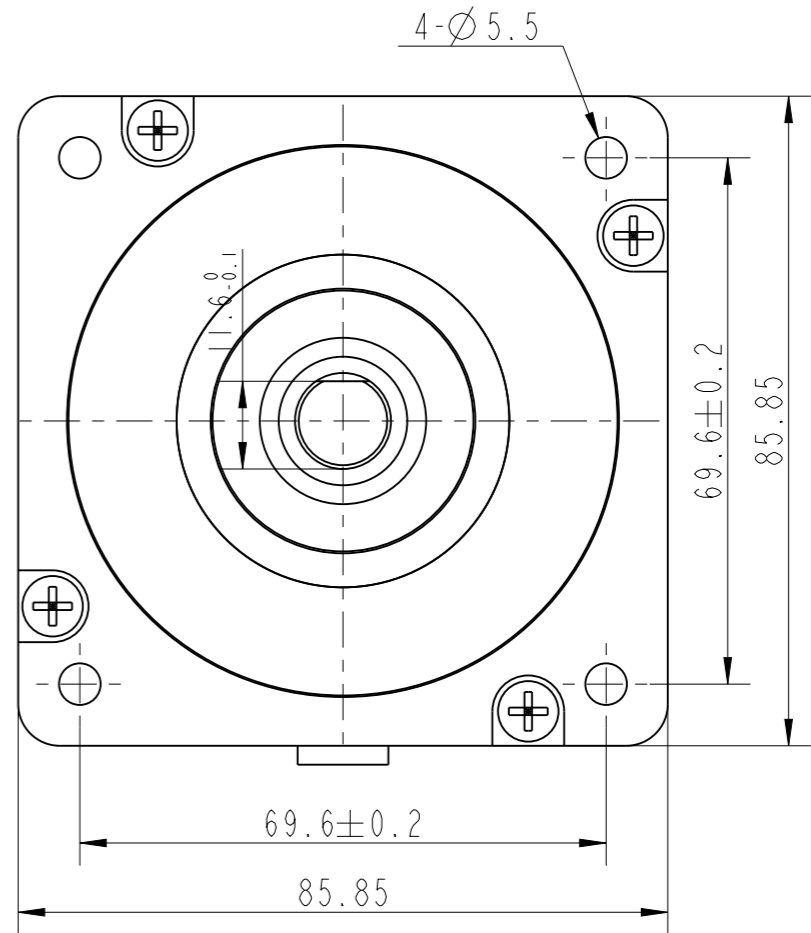
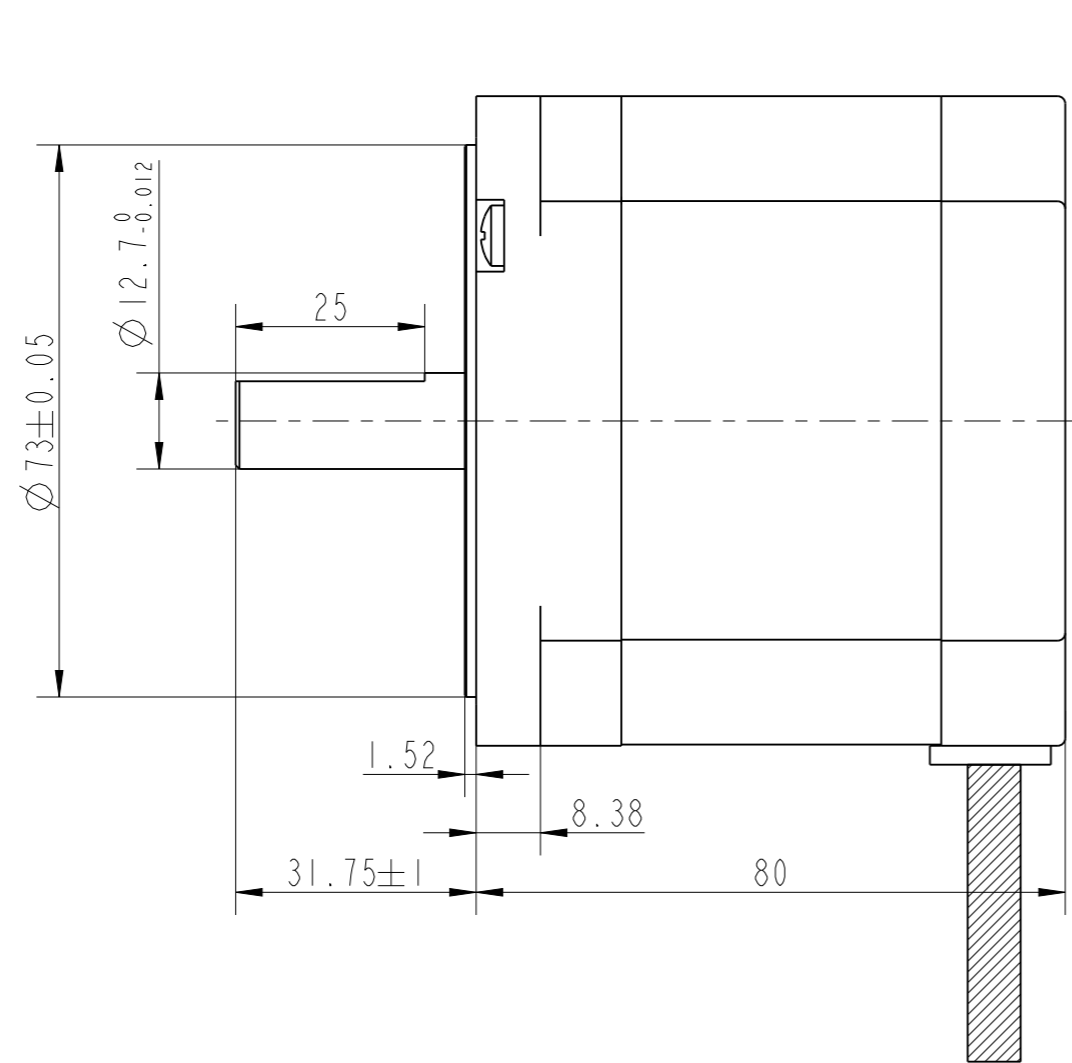
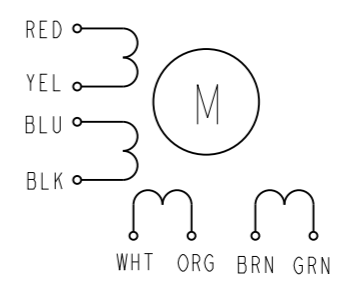


REV	ECN	NO	DESCRIPTION	DRN	APP'D	DATE



Wiring Diagram (接线图)



红黄蓝黑白橙棕绿
1430-AWG20#长400mm

STEP ANGLE	步距角	1.8°/full step(盖步)
STEP ANGLE ACCURACY	步距角精度	±5%
NUMBER OF PHASE	绕组相数	4
RATED VOTAGE	额定电压	2.73VDC
RATED CURRENT	额定电流	4.2 A
RESISTANCE/PHASE	每相电阻	0.65±10% OHMS@20°C
INDUCTANCE/PHASE	每相电感	3±20% mH@1kHz
HOLDING TORQUE	保持转矩	3.2N.m
PULL OUT TORQUE	运行转矩	
BACK EMF	反电动势	
DETENT TORQUE	定位转矩	
ROTOR INERTIA	转子转动惯量	1400 g.cm ²
WEIGHT	重量	2.3K g
TEMPERATURE RISE	温升	less than 80K(小F80开)
SOURCE VOLTAGE	驱动器电压	VCD
INSULATION CLASS	绝缘等级	B 130°C
DIELECTRIC STRENG	介电强度	750VAC 1MIN
INSULATION RESIST	绝缘电阻	100MOhm @500VCD
IP CODE	防护等级	IP30
OPERATION AMBIENT	使用环境	Ambient temperature:-20...+50°C, humidity Max.85%(No condensation)
STORAGE AMBIENT	存储环境	Ambient temperature:-20...+85°C, humidity Max.85%(No condensation)

PERMISSIBLE RADIAL+AXIAL FORCE (允许轴向和径向力)		
AXIAL-FORCE	轴向压力	Fa=60 N Max
DISTANCE	距离	a=20 mm
RADIAL-FORCE	径向压力	Fr=220 N Max
SHAFT RADIAL PLAY	径向间隙	0.02mm Max.@4N
SHAFT AXIAL PLAY	轴向间隙	0.08mm Max.@4N

A	REV	ECN NO.	DESCRIPTION	DESIGN	DATE	P/N.	TITLE
							Specifications
UNLESS OTHERWISE SPECIFIED TOLERANCES:						USED ON	FL86STH80-4208A
DECIMALS: .X ±0.5 .XX ±0.25 .XXX ±0.1						DWG NO.	REV A
ANGULAR: ±0°30'							
UNIT: mm						SCALE	1:1
DO NOT SCALE DRAWING						SHEET	1 OF 1
FIRST ANGLE PROJECTION						FULLING MOTOR	