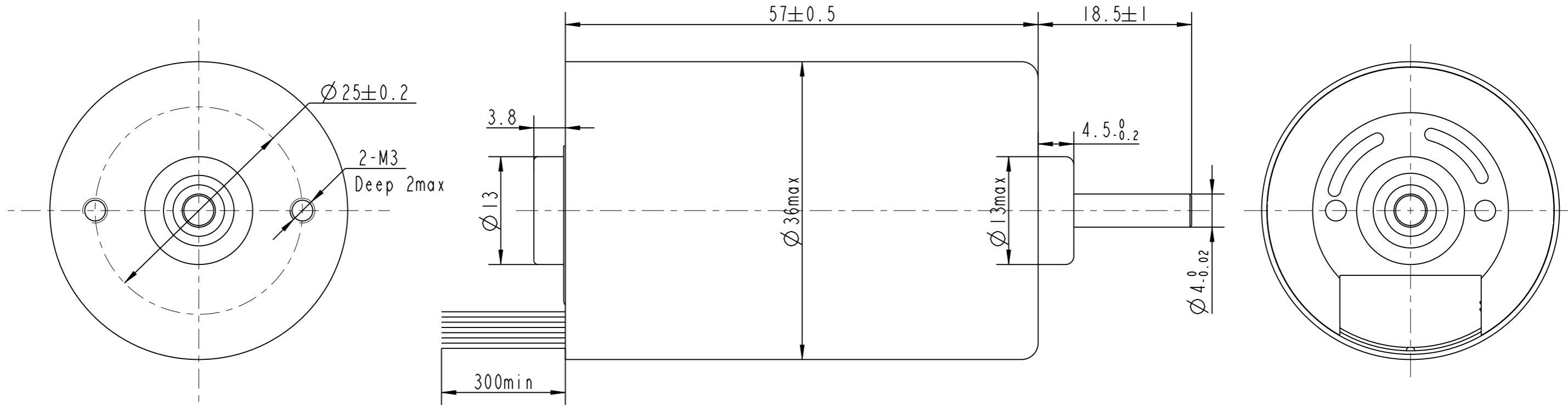


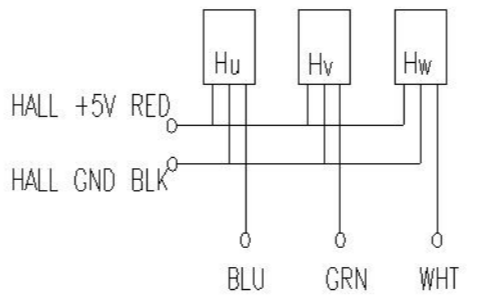
REV	ECN	NO	DESCRIPTION	DRN	APP'D	DATE



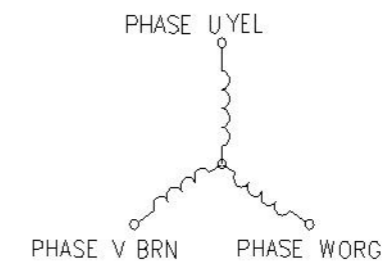
从前出轴看, CW

NUMBER OF PHASE	绕组相数	3	Wires for Phases ULI430 AWG24							
NUMBER OF POLES	极数	8	PHASE U	PHASE V	PHASE W					
LINE TO LINE RESISTANCE	线电阻	1.05±10% ohms@20°C	YEL	RED	BLK					
LINE TO LINE INDUCTANCE	线电感	1±20% mH@1kHz	Wires for Hall ULI430 AWG26							
NOMINAL VOLTAGE	额定电压	24 VDC	HALLVc	Hu	Hv	Hw				
NO LOAD SPEED	空载转速	5600±10% RPM	RED	BLU	GRN	WHT				
NO LOAD CURRENT	空载电流	0.5 A REF	PERMISSIBLE RADIAL+AXIAL FORCE							
RATED TORQUE	额定转矩	70 mN.m								
RATED SPEED	额定转速	4500±10% RPM								
RATED CURRENT	额定电流	1.8 A								
PEAK TORQUE	峰值转矩	210 mN.m								
PEAK CURRENT	峰值电流	5.3 A								
BACK EMF CONSTANT	反电势常数	3±10% Vrms/kRPM								
TORQUE CONSTANT	转矩常数	40 mN.m/A								
INSULATION CLASS	绝缘等级	B 130°C					AXIAL-FORCE	轴向压力	Fa=10 N Max	
DIELECTRIC STRENG	介电强度	600VAC ISEC					DISTANCE	距离	a=10 mm	
INSULATION RESIST	绝缘电阻	100MΩ @500VDC	RADIAL-FORCE	径向压力	Fr=28 N Max					
ROTOR INERTIA	转子转动惯量	27 g.cm ²	SHAFT RADIAL PLAY	径向间隙	0.02mm Max.@4N					
WEIGHT	重量	0.25Kg	SHAFT AXIAL PLAY	轴向间隙	0.14mm Max.@4N					
OPERATION AMBIENT	使用环境	Ambient temperature:-25...+55°C, humidity Max.85%(No condensation)								
STORAGE AMBIENT	存储环境	Ambient temperature:-25...+85°C, humidity Max.85%(No condensation)								

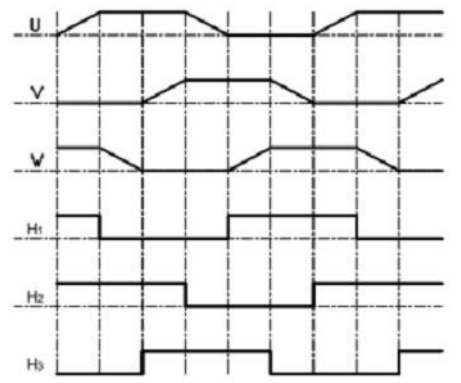
HALL CONNECTING



THREE-PHASE CONNECTING



CW FROM OUTPUT SHAFT



A		DESIGN	DATE	P/N.	3.1.02.036.***
REV	ECN NO.	DESCRIPTION		TITLE	SPECIFICATIONS
UNLESS OTHERWISE SPECIFIED		MATERIAL	CONTR.	CHECK	USED ON
TOLERANCES:				APPD	FL36CBL57-24V-4533A
DECIMALS:					DWG NO.
.X ±0.5					REV
.XX ±0.25					A
.XXX ±0.1					
UNIT: mm		FIRST ANGLE PROJECTION		SCALE	2:1
DO NOT SCALE DRAWING				SHEET	1 OF 1
					FULLING MOTOR