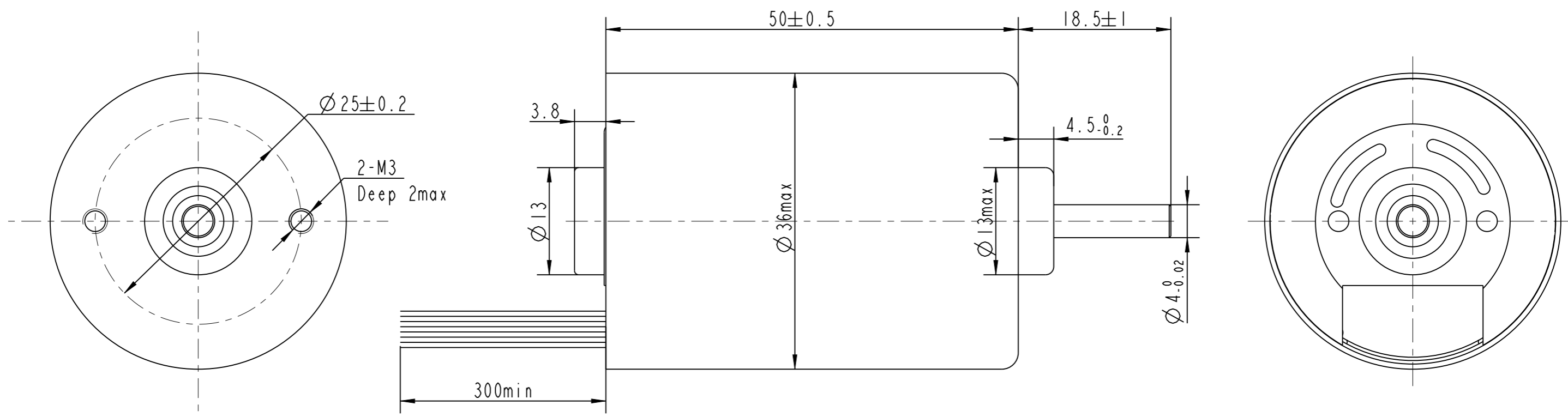


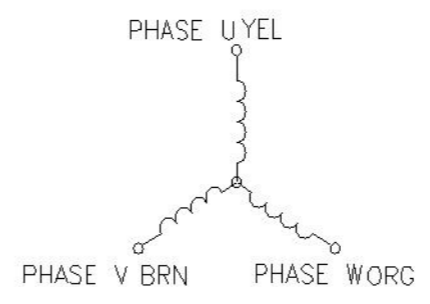
REV	ECN	NO	DESCRIPTION	DRN	APP'D	DATE



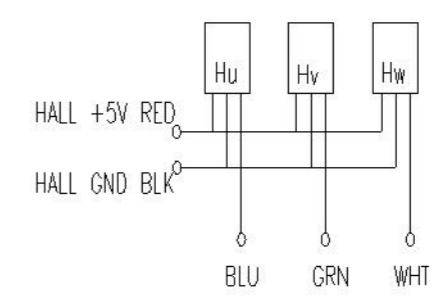
从前出轴看, CW

NUMBER OF PHASE	绕组相数	3	Wires for Phases ULI430 AWG24		
NUMBER OF POLES	极数	8	PHASE U	PHASE V	PHASE W
LINE TO LINE RESISTANCE	线电阻	1.2±10% ohms@20°C	YEL	BRN	ORG
LINE TO LINE INDUCTANCE	线电感	1.2±20% mH@1kHz	Wires for Hall ULI430 AWG26		
NOMINAL VOLTAGE	额定电压	24 VDC	HALL Vcc	Hu	Hv
NO LOAD SPEED	空载转速	5900±10% RPM	RED	BLU	GRN
NO LOAD CURRENT	空载电流	0.25 A REF	Hw	WHT	HALL Gnd
RATED TORQUE	额定转矩	55 mN.m	PERMISSIBLE RADIAL+AXIAL FORCE		
RATED SPEED	额定转速	4800±10% RPM			
RATED CURRENT	额定电流	1.5 A			
PEAK TORQUE	峰值转矩	165 mN.m			
PEAK CURRENT	峰值电流	4.3 A			
BACK EMF CONSTANT	反电势常数	2.9±10% Vrms/kRPM			
TORQUE CONSTANT	转矩常数	39 mN.m/A			
INSULATION CLASS	绝缘等级	B 130°C	AXIAL-FORCE	轴向压力	Fa=10 N Max
DIELECTRIC STRENG	介电强度	600VAC ISEC	DISTANCE	距离	a=10 mm
INSULATION RESIST	绝缘电阻	100MΩm @500VDC	RADIAL-FORCE	径向压力	Fr=28 N Max
ROTOR INERTIA	转子转动惯量	22 g.cm ²	SHAFT RADIAL PLAY	径向间隙	0.02mm Max. @4N
WEIGHT	重量	0.23 Kg	SHAFT AXIAL PLAY	轴向间隙	0.14mm Max. @4N
OPERATION AMBIENT	使用环境	Ambient temperature: -25...+55°C, humidity Max.85%(No condensation)			
STORAGE AMBIENT	存储环境	Ambient temperature: -25...+85°C, humidity Max.85%(No condensation)			

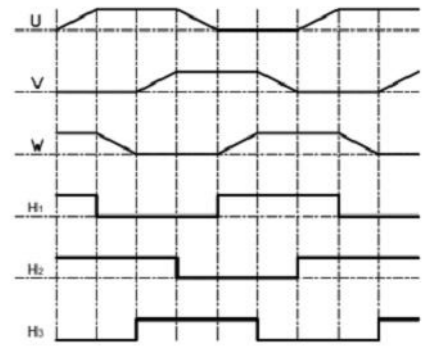
THREE-PHASE CONNECTING



HALL CONNECTING



CW FROM OUTPUT SHAFT



A		DESIGN	DATE	P/N.	3.1.02.036.****
REV	ECN NO.	DESCRIPTION		TITLE	SPECIFICATION
UNLESS OTHERWISE SPECIFIED		MATERIAL	CONTR.	CHECK	USED ON
TOLERANCES:				APPD	FL36CBL50-24V-4828A
DECIMALS:					DWG NO.
.X ±0.5					REV
.XX ±0.25					A
.XXX ±0.1					
UNIT: mm		FIRST ANGLE PROJECTION		SCALE	2:1
DO NOT SCALE DRAWING				SHEET	1 OF 1
					FULLING MOTOR