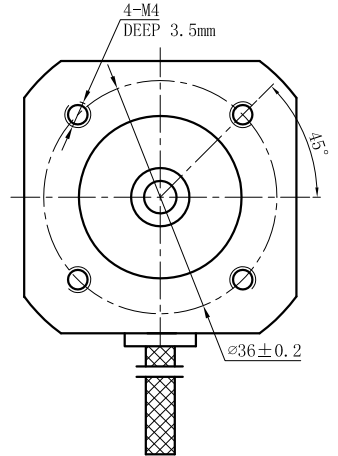
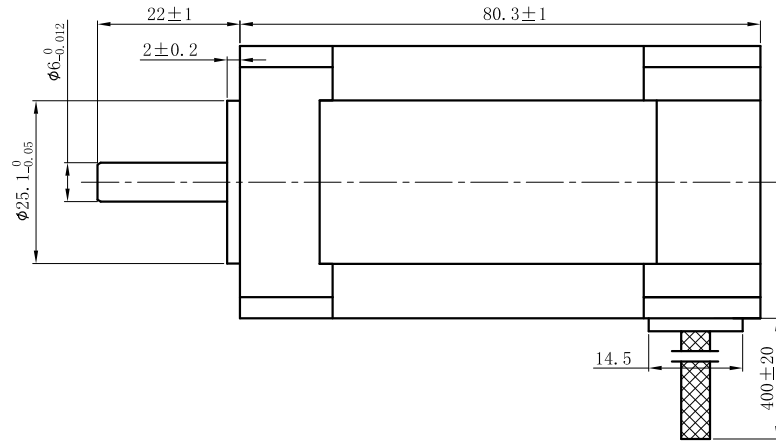
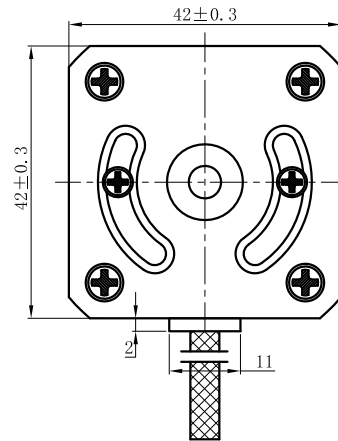
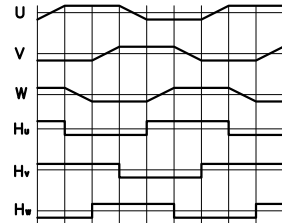


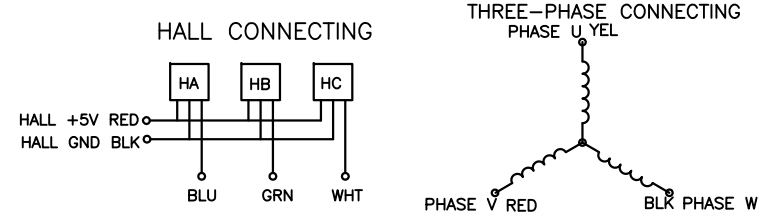
REV	ECN NO.	DESCRIPTION	DRN	APPD	DATE



CW COMMUTATION:
VIEWED FROM OUTPUT SHAFT



NUMBER OF PHASE	绕组相数	3	Wires for Phases UL1430 AWG20		
NUMBER OF POLES	极数	6	PHASE U	PHASE V	PHASE W
LINE TO LINE RESISANCE	线电阻	0.54±10% ohms@20°C	YEL	RED	BLK
LINE TO LINE INDUCTANCE	线电感	0.46±20% mH@1kHz	Wires for HALL UL1430 AWG26		
NOMINAL VOLTAGE	额定电压	24 VDC	HALL Vc	Hu	Hv
NO LOAD SPEED	空载转速	4000±10% RPM	RED	BLU	GRN
NO LOAD CURRENT	空载电流	<0.5 A	WHT	BLK	HALL Gnd
RATED TORQUE	额定转矩	0.3 N.m	PERMISSIBLE RADIAL+AXIAL FORCE		
RATED SPEED	额定转速	3000±10% RPM			
RATED CURRENT	额定电流	4.8 A	Fa=10 N Max a=10 mm		
PEAK TORQUE	峰值转矩	0.9 N.m	Fr=28 N Max		
PEAK CURRENT	峰值电流	14.5 A	SHAFT RADIAL PLAY 径向间隙 0.02mm Max.Ø4N		
BACK EMF CONSTANT	反电势常数	4.57±10% Vrms/kRPM	SHAFT AXIAL PLAY 轴向间隙 0.14mm Max.Ø4N		
TORQUE CONSTANT	转矩常数	0.062 N.m/A			
INSULATION CLASS	绝缘等级	B 130°C			
DIELECTRIC STRENG	介电强度	600VAC 1SEC			
INSULATION RESIST	绝缘电阻	100M0hm @500VDC			
ROTOR INERTIA	转子转动惯量	100 g.cm ²			
WEIGHT	重量	0.8 Kg			
OPERATION AMBIENT	使用环境	Ambient temperature:-20...+50° C, humidity Max. 85%(No condensation)			
STORAGE AMBIENT	存储环境	Ambient temperature:-20...+85° C, humidity Max. 85%(No condensation)			



REV	ECN NO.	DESCRIPTION	DESIGN	DATE	P/N.
UNLESS OTHERWISE SPECIFIED		MATERIAL	CONTR	CHECK	TITLE
TOLERANCES					Specifications
DECIMALS:	ANGULAR:				USED ON
.x ±0.5	±0° 30'				FL42BLB03
.xx ±0.25				APPD	DWG NO.
.xxx ±0.1					REV
UNIT: mm	FIRST ANGLE PROJECTION		SCALE 1:1	A	
DO NOT SCALE DRAWING			SHEET 1 OF 1	FULLING MOTOR	