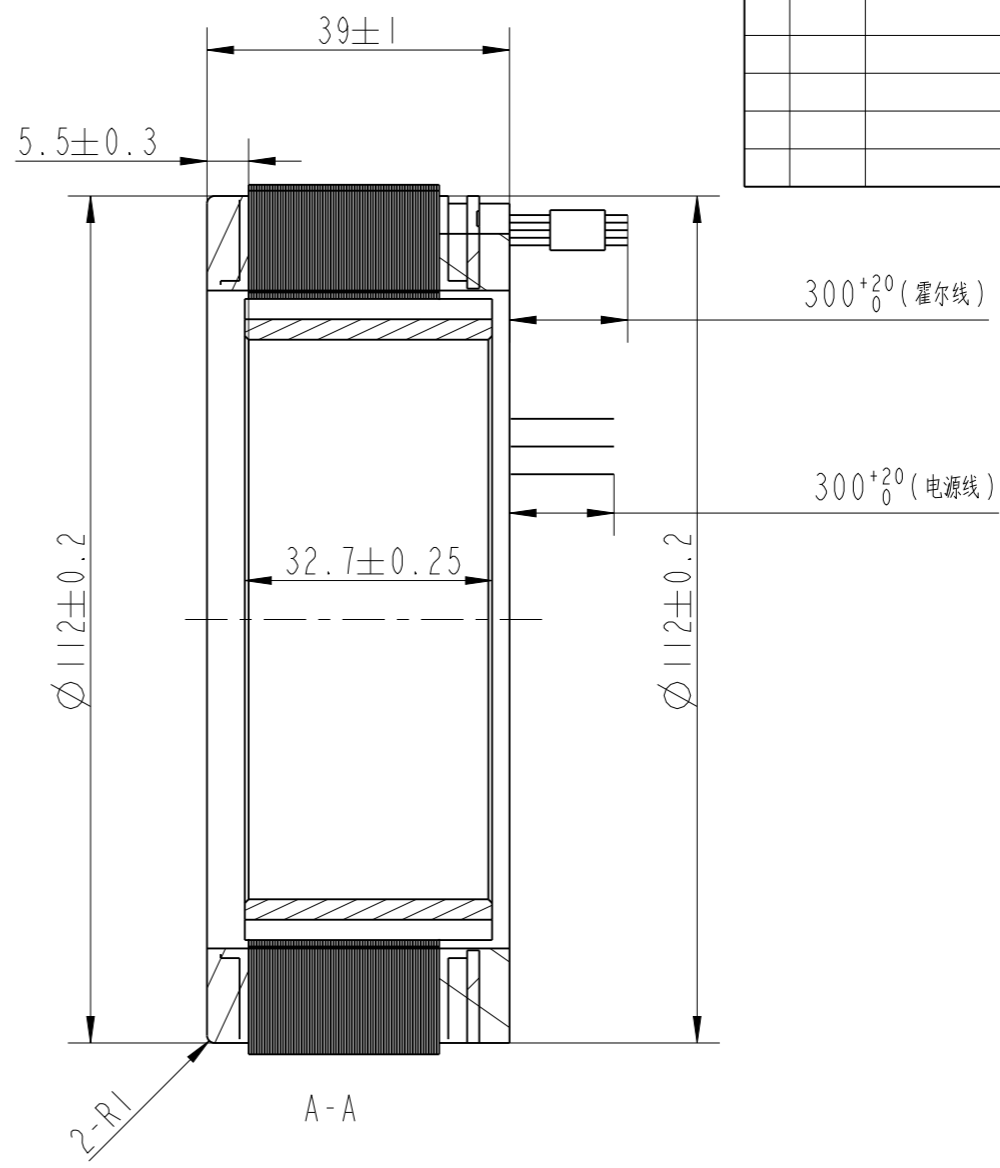
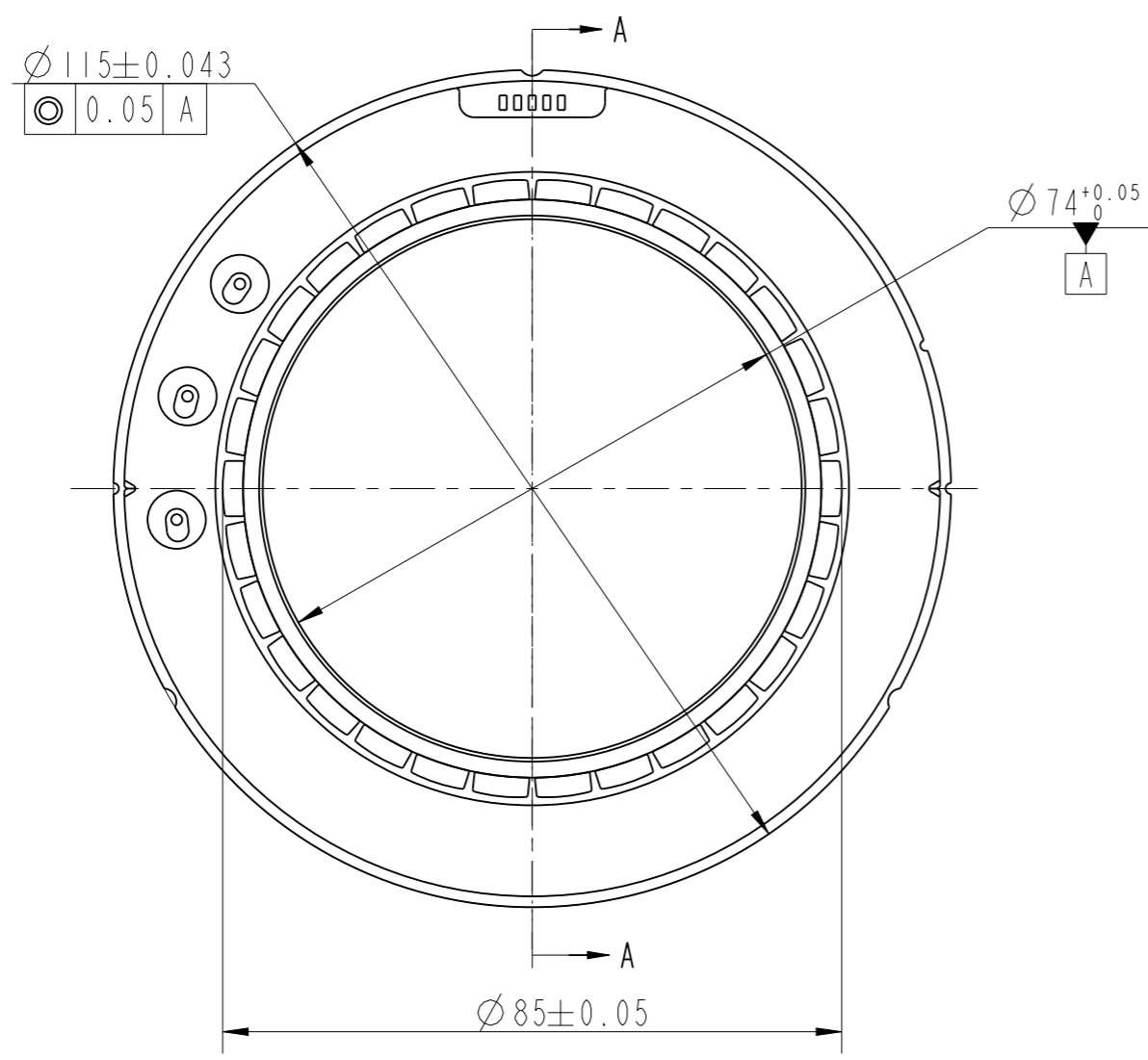
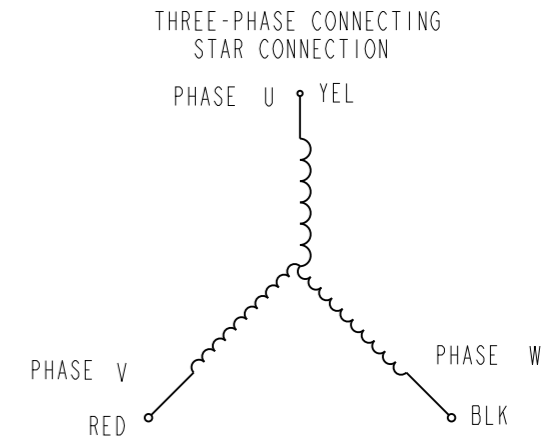
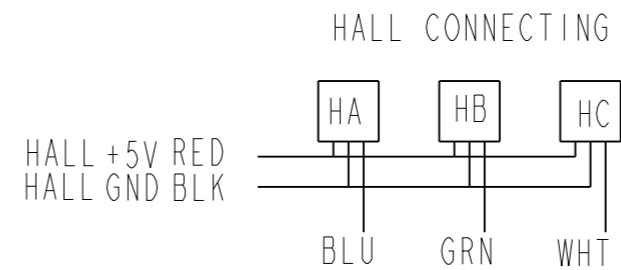


REV	ECN	NO	DESCRIPTION	DRN	APP'D	DATE



NUMBER OF PHASE	绕组相数	3	Wires for Phases UL1332 AWG18			
NUMBER OF POLES	极数	30	PHASE U	PHASE V	PHASE W	
LINE TO LINE RESISTANCE	线电阻	0.23±10% ohms@20°C	YEL	RED	BLK	
LINE TO LINE INDUCTANCE	线电感	0.25±20% mH@1kHz	Wires for Hall UL2464 AWG26			
NOMINAL VOLTAGE	额定电压	48 VDC	HALL Vc	Hu	Hv	Hw
NO LOAD SPEED	空载转速	1900±10% RPM	RED	BLU	GRN	WHT
NO LOAD CURRENT	空载电流	1.4 A(ref)	HALL Gnd	BLK		
RATED TORQUE	额定转矩	3.9 N.m	PERMISSIBLE RADIAL+AXIAL FORCE			
RATED SPEED	额定转速	1400 RPM				
RATED CURRENT	额定电流	14.1 A				
PEAK TORQUE	峰值转矩	12.7 N.m				
PEAK CURRENT	峰值电流	49 A				
BACK EMF CONSTANT	反电势常数	17.7 Vrms/kRPM				
TORQUE CONSTANT	转矩常数	293 mN.m/A				
INSULATION CLASS	绝缘等级	F 155°C				
DIELECTRIC STRENG	介电强度	1000VAC 1SEC				
INSULATION RESIST	绝缘电阻	100MOhm @500VDC				
ROTOR INERTIA	转子转动惯量	5.15 kg.cm ²	DISTANCE	距离	a= mm	
WEIGHT	重量	1.1Kg	RADIAL-FORCE	径向压力	Fr= N Max	
OPERATION AMBIENT	使用环境	Ambient temperature:-20...+50°C, humidity Max.85%(No condensation)	SHAFT RADIAL PLAY	径向间隙	mm Max.①4N	
STORAGE AMBIENT	存储环境	Ambient temperature:-20...+85°C, humidity Max.85%(No condensation)	SHAFT AXIAL PLAY	轴向间隙	mm Max.①4N	



A		DESIGN	DATE	P/N.	
REV	ECN NO.	DESCRIPTION		TITLE	电机
UNLESS OTHERWISE SPECIFIED		MATERIAL	CONTR.	CHECK	USED ON
TOLERANCES:					FL115B125-48V-14570
DECIMALS:					DWG NO.
.X ±0.5					REV
.XX ±0.25					A
.XXX ±0.1					
UNIT: mm		FIRST ANGLE PROJECTION	SCALE 1:2	FULLING MOTOR	
DO NOT SCALE DRAWING			SHEET 1 OF 1		