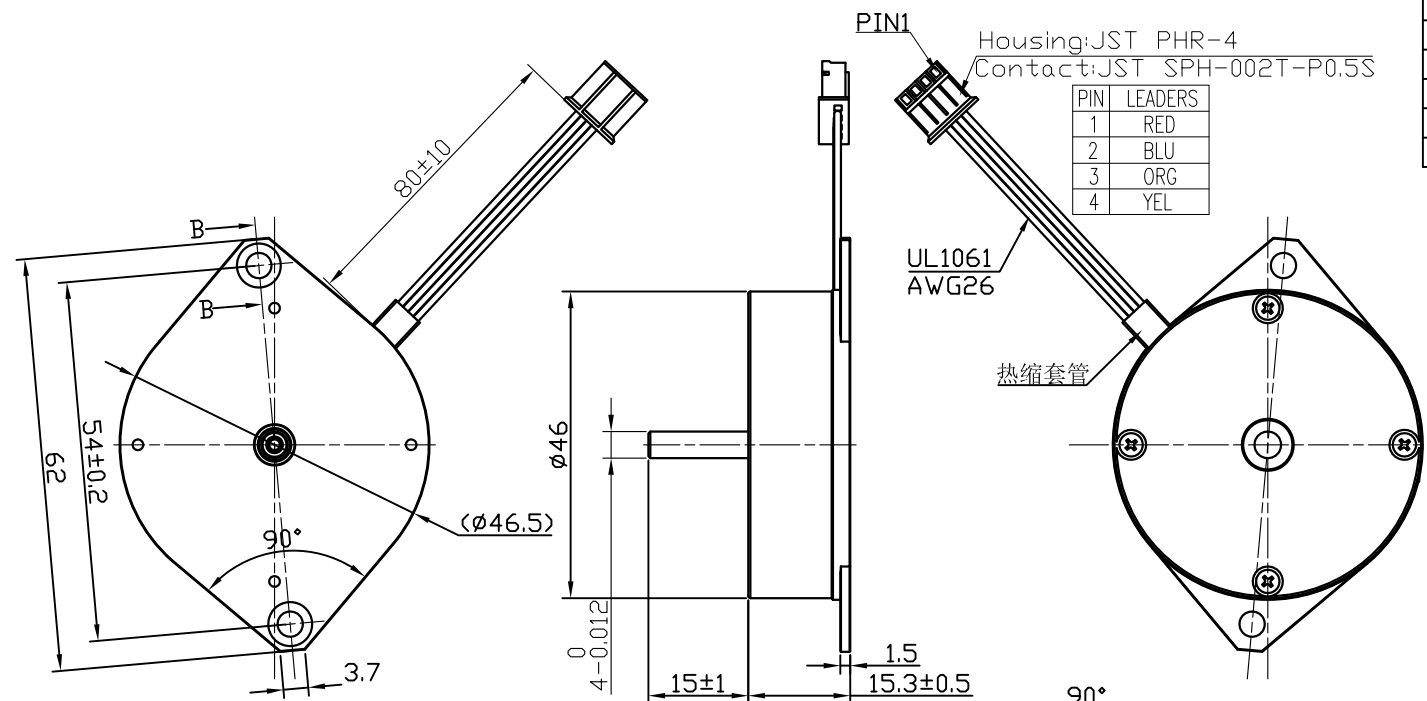
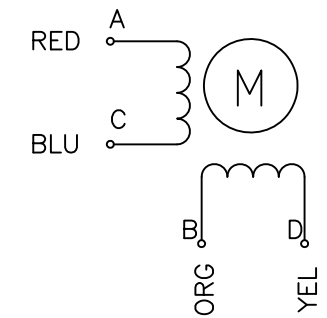


REV	ECN NO.	DESCRIPTION	DRN	APP'D	DATE



PIN	LEADERS
1	RED
2	BLU
3	ORG
4	YEL

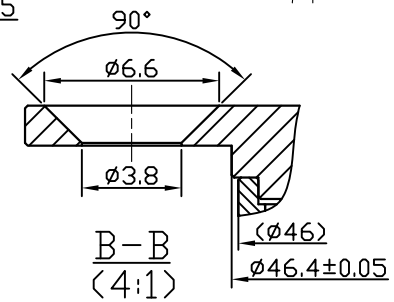
Wiring Diagram (接线图)



Exciting Sequence (励磁顺序)

CW DIRECTION	STEP	A	C	B	D
↓	1	+		+	
	2		+	+	
	3		+		+
	4	+			+
	1	+		+	

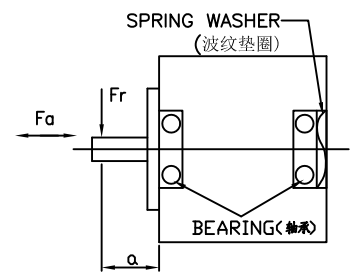
CW, see from flange side  
(顺时针, 从法兰侧看)



SPECIFICATION

STEP ANGLE	步距角	1.8°/full step(整步)
STEP ANGLE ACCURACY	步距角精度	±5%
NUMBER OF PHASE	绕组相数	2
RATED VOLTAGE	额定电压	3.2 V
RATED CURRENT	额定电流	1.0 A
RESISTANCE/PHASE	每相电阻	3.2±10% ohms@20°C
INDUCTANCE/PHASE	每相电感	2.5±20% mH@1kHz
HOLDING TORQUE	保持转矩	800 g.cm
PULL OUT TORQUE	运行转矩	
BACK EMF	反电动势	
DETENT TORQUE	定位转矩	
ROTOR INERTIA	转子转动惯量	11 g.cm <sup>2</sup>
WEIGHT	重量	100 g
TEMPERATURE RISE	温升	Less than 80K (<≠80度)
SOURCE VOLTAGE	驱动器电压	24 VDC
INSULATION CLASS	绝缘等级	B 130°C
DIELECTRIC STRENGTH	介电强度	500VAC 1MIN
INSULATION RESISTANCE	绝缘电阻	100MΩ @ 500VDC
IP CODE	防护等级	IP30
OPERATION AMBIENT	使用环境	Ambient temperature: -20...+50°C, humidity Max. 85%(No condensation)
STORAGE AMBIENT	存储环境	Ambient temperature: -20...+85°C, humidity Max. 85%(No condensation)

PERMISSIBLE RADIAL+AXIAL FORCE  
(允许的轴向和径向力)



AXIAL-FORCE	轴向压力	Fa=2 N Max.
DISTANCE	距离	a=20 mm
RADIAL-FORCE	径向压力	Fr=10 N Max.
SHAFT RADIAL PLAY	径向间隙	0.02mm Max. @4N
SHAFT AXIAL PLAY	轴向间隙	0.08mm Max. @4N

DESIGN	DATE	P/N.	3.1.01.042.***
UNLESS OTHERWISE SPECIFIED TOLERANCES	MATERIAL	CONTR.	CHECK
DECIMALS: .x ±0.5			
.xx ±0.25			
.xxx ±0.1			
UNIT: mm	FIRST ANGLE PROJECTION	SCALE	NTS
DO NOT SCALE DRAWING		SHEET	OF
		TITLE	
		Specifications	
		USED ON	FL46ST16-1004A-01
		DWG NO.	REV
			A
FULLING MOTOR			