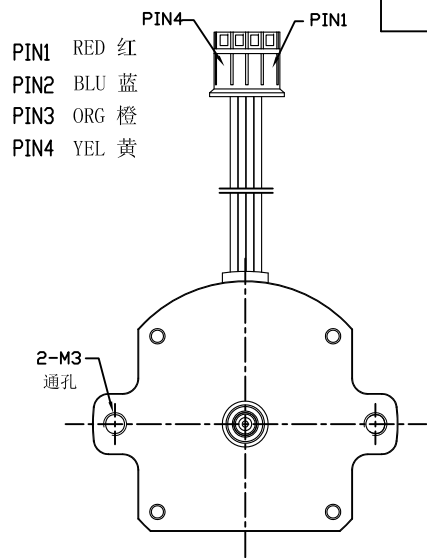
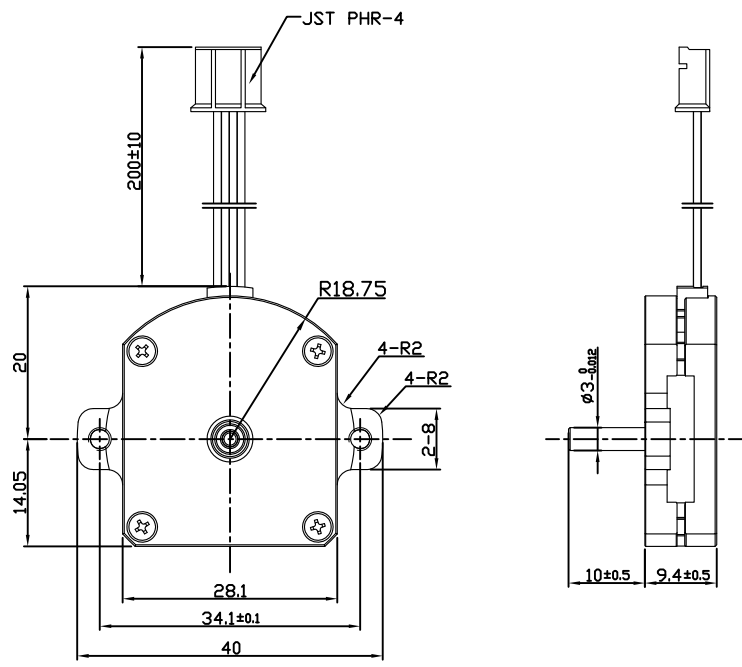
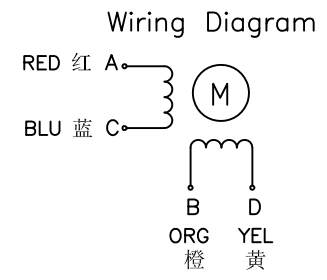


REV	ECN NO.	DESCRIPTION	DRN	APP'D	DATE



PIN1 RED 红
 PIN2 BLU 蓝
 PIN3 ORG 橙
 PIN4 YEL 黄

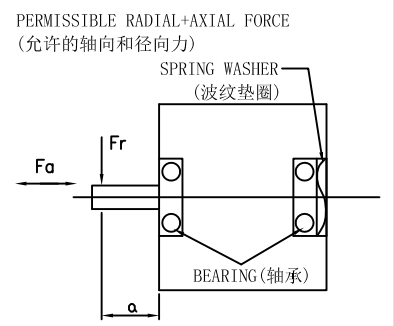


CW DIRECTION	STEP	A	C	B	D
↓	1	+		+	
	2		+	+	
	3		+		+
	4	+			+
	1	+		+	

CW see from the shaft end

SPECIFICATION

STEP ANGLE	步距角	1.8°/full step (整步)
STEP ANGLE ACCURACY	步距角精度	±5%
NUMBER OF PHASE	绕组相数	2
RATED VOLTAGE	额定电压	1.85 VDC
RATED CURRENT	额定电流	0.5 A
RESISTANCE/PHASE	每相电阻	3.7±10% ohms@20°C
INDUCTANCE/PHASE	每相电感	0.88±20% mH@1kHz
HOLDING TORQUE	保持转矩	100 g.cm
PULL OUT TORQUE	运行转矩	
BACK EMF	反电动势	
DETENT TORQUE	定位转矩	
ROTOR INERTIA	转子转动惯量	1.7 g.cm ²
WEIGHT	重量	28 g
TEMPERATURE RISE	温升	Less than 80K
SOURCE VOLTAGE	驱动器电压	24 VDC
INSULATION CLASS	绝缘等级	B 130°C
DIELECTRIC STRENGTH	介电强度	500VAC 1MIN
INSULATION RESISTANCE	绝缘电阻	100MOhm @500VDC
IP CODE	防护等级	IP30
OPERATION AMBIENT	使用环境	Ambient temperature:-20...+50°C,humidity Max. 85%(No condensation)
STORAGE AMBIENT	存储环境	Ambient temperature:-20...+85°C,humidity Max. 85%(No condensation)



REV	ECN NO.	DESCRIPTION	DRN	APP'D	DATE	DESIGN	DATE	P/N.	TITLE
								3.1.01.028.	Specifications
UNLESS OTHERWISE SPECIFIED TOLERANCES						MATERIAL	CONTR.	CHECK	USED ON
DECIMALS: .x ±0.5									FL28ST10-0504A
ANGULAR: .xx ±0.25 ±0°30'									DWG NO.
.xxx ±0.1									REV
UNIT: mm						FIRST ANGLE PROJECTION	SCALE NTS	FULLING MOTOR	
DO NOT SCALE DRAWING							SHEET OF		